



Afghan Hossa

شرکت تجارتي افغان هوسا  
Afghan Hossa Company



**Registered:** Afghanistan Chamber of Commerce & Industries

**Name of Company:** Afghan Hossa

**License Registration No:** 86639

**TIN No:** 9007048664

**JCCS No:** 83530

**NCAGE Code:** SBQB1

**D-U-N-S No:** 561214621

**SIC Code:** 3560



Afghan Hossa

شرکت تجارتی افغان هوسا  
Afghan Hossa Company

## **Introduction**

Established in 2016, we are a reputable dynamic company and staffed by professionals with hands on experience. First hand contact with its customers, enables **AHC** to best understand their needs, and provide the most effective solutions. Right from the beginning the company always focused on innovative approach while selecting the product with highest quality and reliability. This and the extensive experience in the CCTV and IP field have lead **AHC** to rapid growth and allowed a top position for video surveillance in Afghanistan. The main field of expertise being integrated Security and Surveillance Solution from concept to final handover with after sales service. **AHC** has the necessary expertise to engineer innovative, effective and reliable solutions. Our installation standards and criteria for election of personnel is part of our tightly monitored and controlled quality system.

The success of our company is attributed to the level of customer service that we provide and the quality of the work we perform. Paying close attention to the needs of our customers has been the foundation of forming great relationships while earning future business opportunities. With this mind, our entire team takes an active role in each and every project we complete, from the initial site survey to the delivery of test and "as-built" documentation, our company is focused on making sure our customers' needs are not only met, but exceeded.

**AHC** has proved that quality workmanship and an unsurpassed dedication to the customer is an **AHC** ingredient in the success of any company. **AHC** offers a comprehensive range of security products and services, which enables us to provide a single point of contact for all your needs. Services include implementation, maintenance and distribution. Specializing in the line of products, **AHC** prides itself on an outstanding track record for maximizing security.

**AHC** has installed CCTV systems / Access Control Systems / Speed Pass Gates/ Fire Alarm Systems / Walk-Through Gates / Under vehicle Scanning Systems / Road Blockers / Tire Killers / IP cameras / Public Counting Systems / Patrol Guard Monitoring System / Public Address Systems Nationwide and Internationally for hundreds of local and Multinational Companies and Government organizations. **AHC** not only offers the finest equipment available but also designed to achieve a cost effective approach to



Afghan Hossa

شرکت تجارتي افغان هوسا  
Afghan Hossa Company

Current and future needs of customers. We act as owners; each of us is responsible for solving our business challenges. We expect our colleagues to Care for each other, to create an engaging work environment and to communicate honestly. We share an unrelenting drive to succeed, a propensity to make bold moves and a commitment to our values. Speed is critical to our success, so our teams move fast. Our business demands that our teams know the boundaries. We combine speed with the strength of our partners to succeed.

## **Global Strength Local Support**

**AHC** world class products and solution with nationwide coverage focused local customers to give maximum support. **AHC** offers a flexible twin-track approach to support every aspect of an organization's Security, Safety and Surveillance requirement: delivering focused and Integrated Solution based on advanced technology from World's leading companies including LG, AFM VISION, AVIGILON, INNOCAM, AVENTURA, GARRETT, ASTROPHYSICS, ANTAIRA, HP, DELL, CISCO, GLOBAL FIRE, Gents, GE, etc.

"Service doesn't stop at the sale" is the defining hallmark of

**AHC** commitment to our customers. This is true regardless of where you live and work across the globe. To that end, **AHC** sales and services setup is designed and implemented in such a way to provide an exceptional level of service well after the sale is complete.

One of the many success factors behind **AHC** 100-Percent Customer Satisfaction guarantee is the unmatched technical support that we provide to our customers on a daily basis. Our Technical Assistance Program is specifically designed to maximize and allocate our most-valuable resources – our people – to solve your most-pressing needs. Our certified technical support team is always available to offer the answers you need when you need them. No matter where in the country you are. Call us. No matter what time it is. Call us. Our technical support teams located in different cities of Afghanistan are dedicated to getting your problem solved and your equipment up and running, this is what we are and this is what we are proud of. **AHC** operates not only throughout Afghanistan with its offices in all major cities of Afghanistan but also we have International representation. Below are the contact details of our offices in Afghanistan.



Afghan Hossa

شرکت تجارتی افغان هوسا  
**Afghan Hossa Company**

## **Head Office Kabul**

**Contact Person:** Mr. Muhammad Esaq Nejat

**Head Office:** Wazir Akbar Khan Main Road District 10, House No.503 Kabul, Afghanistan,

**Second Office:** Haji Yaqoob Square

**Mobile:** 0777 565 690 / 730 565 690 / 0798 456 060

**Email:** [Info@afghanhossa.com](mailto:Info@afghanhossa.com) / [afghanhossa@gmail.com](mailto:afghanhossa@gmail.com)

**Web:** [www.afghanhossa.com](http://www.afghanhossa.com)

## **Client Port Folio**

We have Thousands of Satisfied Customer in Different Section throughout Afghanistan Few of Them Are as under.

## **Banking Sector**

- ADB Bank
- De Afghanistan Bank
- Bank Mile of Afghan 16 Branch's
- Peshatani Bank Jelal Abad Branch
- Azizi Bank
- AUB Bank
- Maiwand Bank

## **Government Institutions**

- DHSA
- Ministry of Rural Development
- Ministry of Finance
- President of Drug
- Ministry of Communications



Afghan Hossa

شرکت تجارتی افغان هوسا  
**Afghan Hossa Company**

Due to the confidential nature of our business and keeping in mind the sensitivity of our Military and Defense Sector, permission will be requested from these clients before the information may be disclosed, so we are giving only few names without the installation details out of hundreds of our installations.

### **Telecom and Communication**

- Roshan
- Afghan Telecom
- Etisalat
- MTN

### **Educational Institutions**

- Karwan Institute
- Afghan Pamir Instantiation
- Afghan Pamir Higer School
- Mustaqbil Higer School

### **Hospitals & Pharmaceuticals**

- Tolo Hospital
- Chorgh Hospital
- Afghan German Hospital
- Arya Hospital

### **Consulate and Embassy**

- Swiss Embassy
- British Embassy
- Pakistan Embassy
- India Embassy





Afghan Hossa

شرکت تجارتی افغان هوسا  
Afghan Hossa Company

In CCTV System, AHC represent world's best brand LG as a sole distributor. Based on 30 years of experience in optical and imaging technologies, LG has developed and released a wide range of advanced surveillance equipment. LG is committed to acquiring the world's best technology and expanding its product Portfolio .LG not only has highly reliable manufacturing technologies and facilities but also has strict post -sales management and Support

System. AHC has over 5, 0 Installation of LG CCTV systems in Afghanistan almost the 70%of branded equipment sales.

## **IP Base CCTV System**

**High Definition**

**IP VIDEO**

### **World's first H.264 Megapixel Camera**

Along with LG Product Range, AHC also represent the world's best Mega Pixel IP manufacturing company "Arecont Vision" which manufactures HDTV surveillance IP cameras and software. Leveraging its proprietary Mega Video® technology, the company offers the world's fastest multi-megapixel (1.3MP, 2MP, 3MP, 2MPand 1.3MP) network cameras supporting full-motion video frame rates. Arecont's line of H.264 high definition cameras provides security professionals with the flexibility of various frame rates and resolutions for a variety of applications. Arecont Vision systems deliver unparalleled clarity at an unbeatable price providing vastly superior alternative to analog CCTV. AHC has number of Mega Pixel IP Cameras installation throughout the country including the Road Surveillance Projects



CCTV System | IT Support | Security System | Network | Managed Services | Web | Software | Outsourcing | Telecom

Afghan Hossa Company © 2016 - All rights reserved | Company Profile | Page 1of 19

[Info@afghanhossa.com](mailto:Info@afghanhossa.com) | [afghanhossa@gmail.com](mailto:afghanhossa@gmail.com) | [www.afghanhossa.com](http://www.afghanhossa.com)



Afghan Hossa

شرکت تجارتی افغان هوسا  
Afghan Hossa Company

## **Stand Alone and IP Base Access Control Systems**

In Access Control System, AHC represent one of the best Product manufacturing companies "SUPREMA". Since its creation, Supreme Inc. has been boosting and widely distributing the significance of security system and access control system as a pioneer of business, conveying the importance of entrance/gateway control system when such concept began to emerge.

Also, by breathing life into security gates, automatic doors, revolving doors and other entrance/gateway control system businesses, Supreme has obtained a superb position in the high-end entrance/gateway control system.

By providing the security system in governmental security institutions, research centers, financial institutes and other major facilities, AHC has newly set the technological standard for the security system business and has become the prime leader in the industry. We have Hundreds of satisfactory installation of Access Control Installation in Afghanistan.





Afghan Hossa

شرکت تجارتی افغان هوسا  
Afghan Hossa Company

## **Walk Through Gates, Metal Detectors and Mine Detectors**

In Walk Through gates and Metal Detectors, AHC Represent USA Based World's Best Brand in Metal Detection Technology "GARRETT". The Garrett name has come to stand for more than metal detection; it is a philosophy for unparalleled customer satisfaction. While it is true that we believed then, as we do now, that our metal detectors could lead the industry in capabilities and results, we recognized early on that commitment and loyalty to our customers would be our true source of success. Thousands of "GARRETT" Walk through Gates and Metal Detectors are installed throughout the country including the followings:







Afghan Hossa

شرکت تجارتی افغان هوسا  
**Afghan Hossa Company**

## **Explosive Handheld Explosive Detector**

Westminster International Ltd in Explosive and Narcotics, AHC represent UK Best Brand "GE". GE's patented on Trap Mobility Spectrometer (ITMS®) technology helps detect a wide range of substances with accuracy and speed. ITMS detectors can increase ionization efficiency, the main factor

For determining detection sensitivity. Due to the trap and membrane design, ITMS technology may operate in dusty, humid, and high-traffic areas, maintaining its precision performance even in harsh "real world" environments. Maintaining sensitivity in these conditions is crucial for operating on ships, at vehicle checkpoints, crime scenes, or first response sites. Hundreds of "GE" Explosive Detectors are installed throughout the country including the followings:



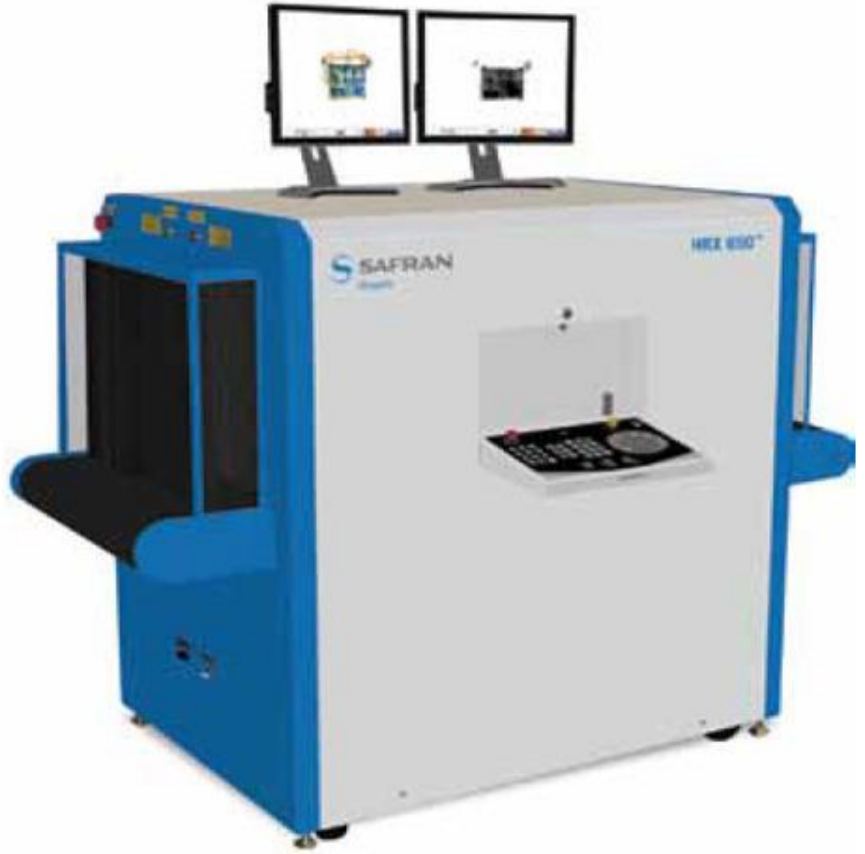


Afghan Hossa

شرکت تجارتي افغان هوسا  
Afghan Hossa Company

## **X-Ray Screening Machines**

In X-Ray Screening Machines, AHC Represents USA Top Quality Brand "ASTROPHYSICS", Astrophysics Inc. is a leading designer, developer and manufacturer of x-ray inspection equipment for baggage screening in security applications. Astrophysics delivers turnkey X-ray inspection systems to customers worldwide for use at airports, government buildings, customs, banks, courthouses, hospitals, prisons and many other locations. Hundreds of "ASTROPHYSICS" machines have been installed throughout the country including the followings:





Afghan Hossa

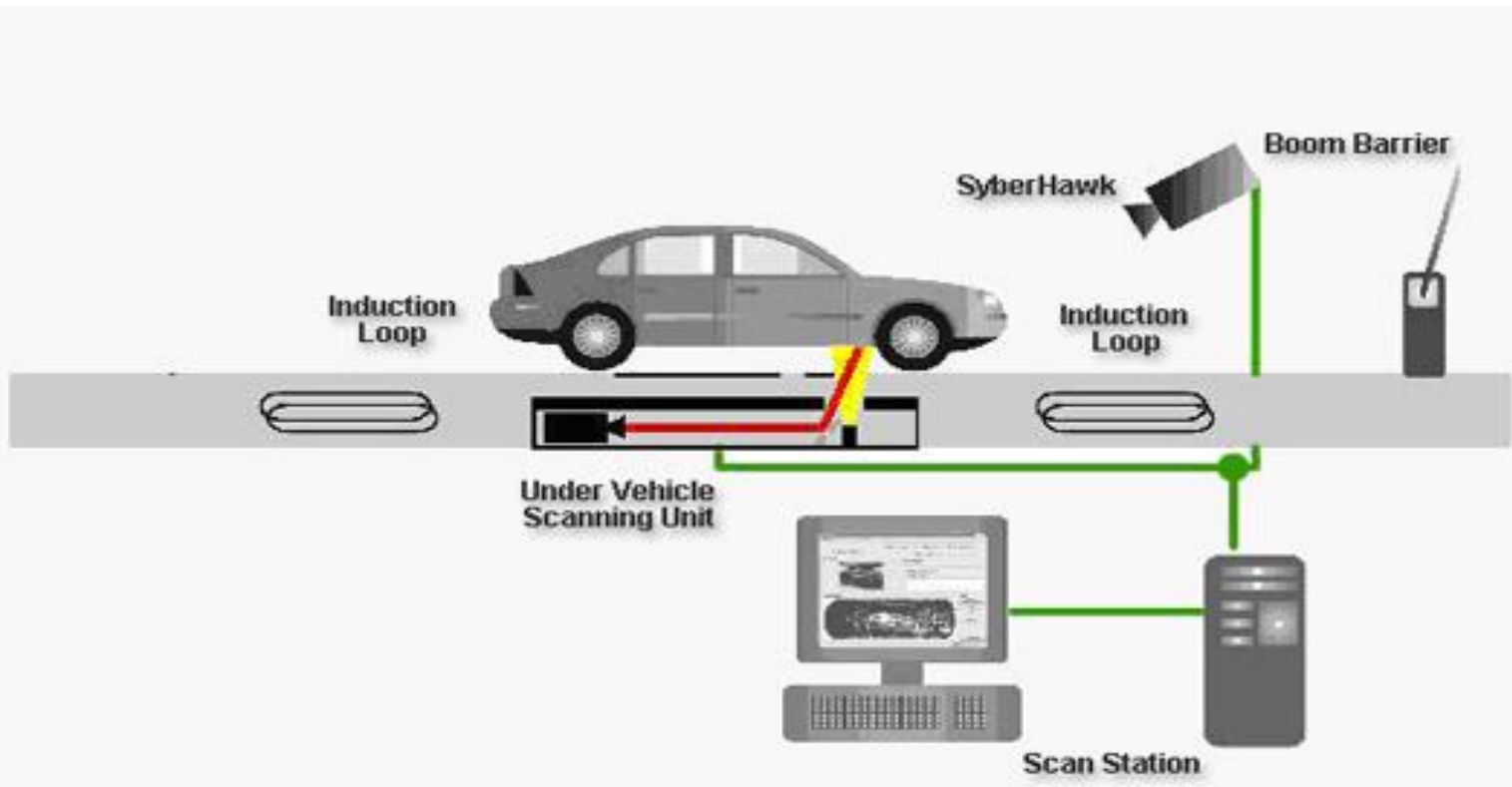
شرکت تجارتي افغان هوسا  
Afghan Hossa Company

## **Under Vehicle Inspection System**

In Under Vehicle Inspection System, we represent USA based world's No. One Company

In manufacturing the UVIS System "Vehicle Inspection Technologies" AHC initial product offering, Und-Aware™ has been in research and development for many years. Und-Aware™ was first released in the first quarter of 2001. Market data gathered and subsequent valuable inputs from customers lead to the development and manufacture of the Und-Aware™ CPAS systems in late 2002. In early 2004, Comma port came up with a modular integrated system of latest technologies in imaging and lighting hardware to make a top-of-the-line Inspection System in the world. Added to this great technology is a User-friendly software design that offers a front-end hitherto unknown in the field of

Vehicle Inspection and Surveillance Systems. The Und-Aware™-500 series is now being marketed around the world and has been successfully sold to satisfied customers around the globe. We already have installed the UVIS System at numerous location nationwide including:





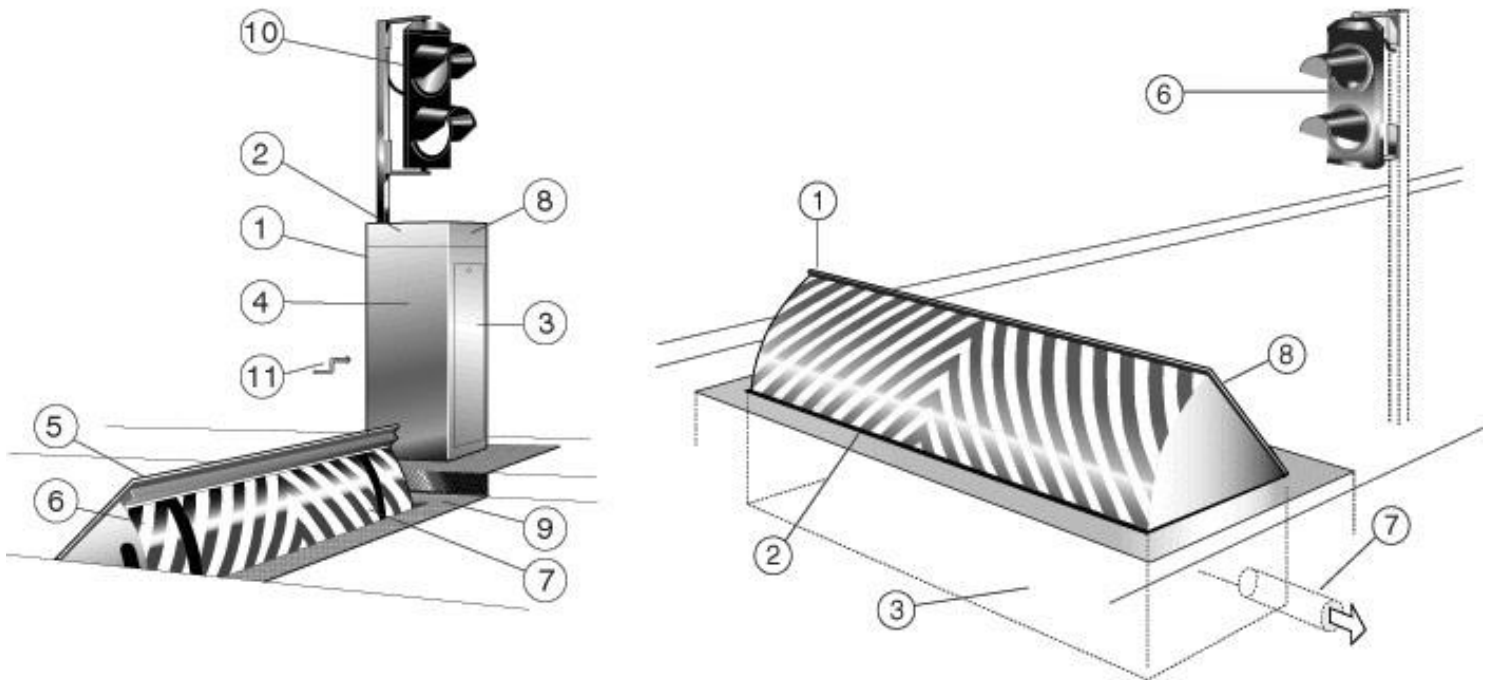


Afghan Hossa

شرکت تجارتی افغان هوسا  
Afghan Hossa Company

## **Automatic Road Blocker & Road Barrier**

In Automatic Road Blocker, we represent Belgium based World's No. one Company in Road Blocker and Barrier "Automatic Systems". The Automatic Systems has 40 years of experience and leadership in the entrance control industry, and sets the standard in this critical market. Given the thousands of high profile installations throughout the world, you almost certainly have come across many of Automatic System equipment installations throughout the world: the Sears Tower in Chicago, The Eiffel Tower in Paris, Disney World in Florida, the BART in San Francisco, Penn Station in New York, the Palm Springs Airport, Star Ferries in Hong Kong, and hundreds of other high traffic venues that are all protected by Automatic Systems' entrance control systems. Hundreds of Road Blocker and Road Barrier machines have been installed throughout the country including the followings:







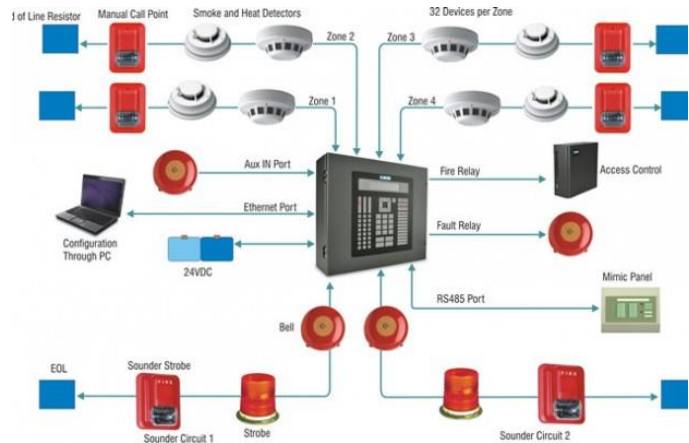
Afghan Hossa

# شرکت تجارتی افغان هوسا

## Afghan Hossa Company

### Conventional Fire Alarm System

In Conventional Fire Alarm System, we represent European base one of the world's best brand "GLOBAL FIRE", Presently, Global Fire is a leading player in the fire detection equipment market, with both addressable analogue and conventional ranges of fire alarm control panels and ancillary devices. We have hundreds of satisfactory installation of Fire Alarm in Afghanistan Including:



### Vertically Integrated Solution by AHC

AHC Provide highly integrated solution that meets the needs of today's demanding security environment. This policy of complete vertical integration has allowed the company to grow rapidly.



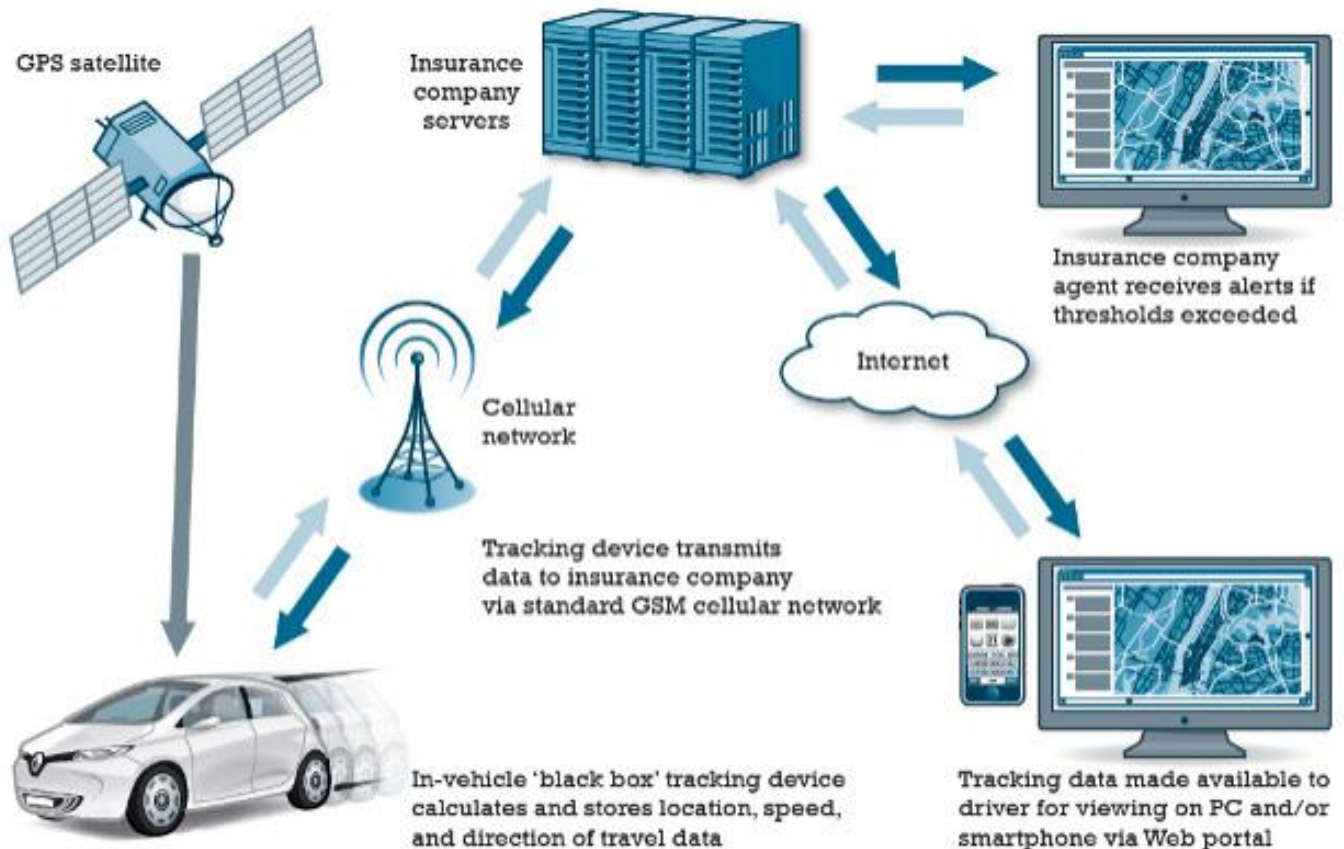


Afghan Hossa

شرکت تجارتی افغان هوسا  
Afghan Hossa Company

## **Asset Tracking Systems**

In Asset Tracking Systems, we represent "SCIROCCO", world's leading manufacturer of RFID/UHF/IR chips located in Sweden. Scirocco is a leading manufacturer of RFID -IR and UHF -for identifying large and valuable objects in demanding environments. Typical applications include indoor and outdoor fleet management, factory automation and vehicle access. Thanks to the systems benefits -robust operation, simple installation and short payback period -Scirocco helps our customers to achieve improved asset management efficiency by reducing queuing time and optimizing resource planning. Scirocco has a perfect balance between market research, development and manufacturing which guarantees a quick response to the growing needs of our customers.





Afghan Hossa

شرکت تجارتي افغان هوسا  
Afghan Hossa Company

## MILITARY EQUIPMENT

**A H C** is experienced in providing all types of military equipment for rent and sale.

We have worked with international forces in Afghanistan including NATO and ISAF and understand the sophisticated needs of our clients.

- ✓ Uniforms
- ✓ Boots
- ✓ Military Authorized Equipment
- ✓ Personal Protective Equipment
- ✓ Tents
- ✓ Food Stuff
- ✓ Household Items







Afghan Hossa

# شرکت تجارتي افغان هوسا

## Afghan Hossa Company

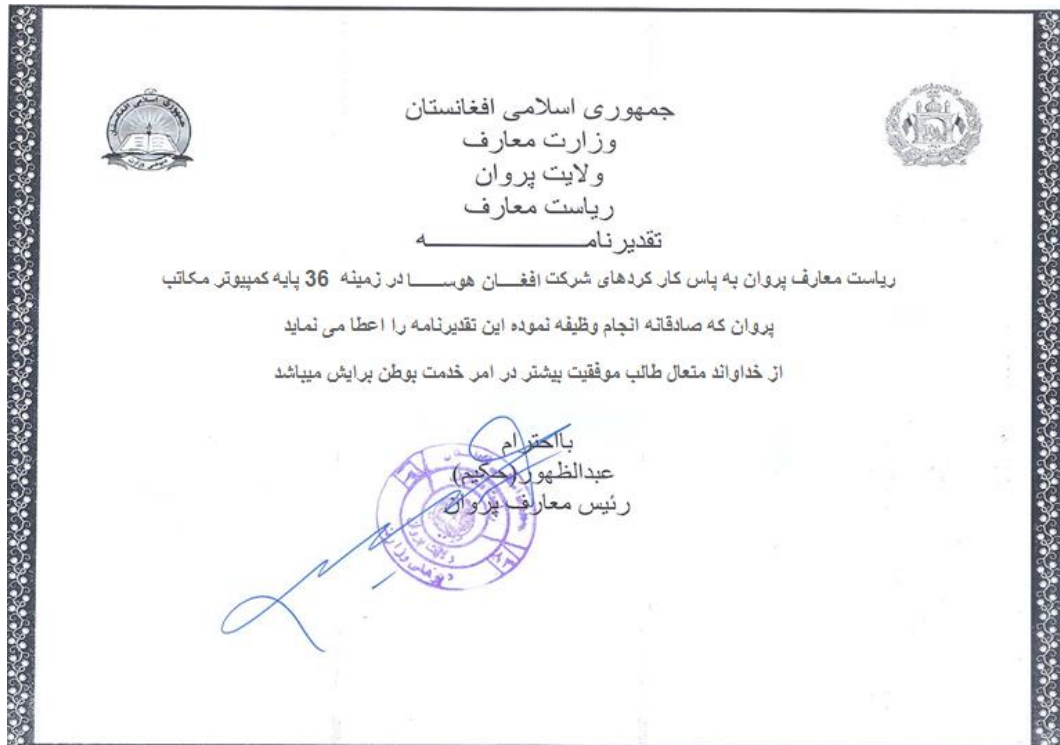
### Rental Vehicles

- ✓ Toyota Surf
- ✓ Pick-ups
- ✓ Town ace
- ✓ Super Custom
- ✓ Corolla
- ✓ Land Cruiser
- ✓ 2Ds
- ✓ And etc...



### Long Vehicles for Transportation

- ✓ Truck (20 and 40 feet)
- ✓ Truck with convex
- ✓ Flatbed
- ✓ Small Fuel
- ✓ Large Fuel
- ✓ Lowboy
- ✓ Reefer Freezer
- ✓ Reefer Fridge







Afghan Hossa

شرکت تجارتی افغان هوسا  
Afghan Hossa Company

## **Installation Capabilities**

AHC allocates all projects undertaken to a specific project manager who is responsible for the project from concept to handover. We have highly trained and skilled teams for the installation, testing and commissioning and training of the equipment, which ensure the high standards of installations. Teams have the quality installation tools for proper and best possible installations

## **Project Management Team**

AHC has experienced project managers who are able to co-ordinate all parties involved in a project. Our project managers can guarantee time-scales, environmental conditions and advise client about health and safety requirements. Project managers can guarantee about the quality of work and timely completion of the project.

## **Maintenance and Servicing Capabilities**

AHC has a standard call-out procedure for each system installed with 24-hour service. AHC endeavor to respond telephonically within the hour and on site within

24 hours of being notified. Qualified and trained technicians would respond to the specific project with the necessary tools and stock to attend to the fault(s), should the system require additional spares, these would be obtained within the shortest time required. Servicing of equipment is carried out by AHC In-house capabilities.

AHC undertakes after sales service agreements and pride in the in-depth knowledge of its product base with central documentation for each project undertaken.

Quality is an element of the attitudes of our technicians that has been Carefully nurtured and is evident in the compliments received from clients.



Afghan Hossa

شرکت تجارتی افغان هوسا  
**Afghan Hossa Company**

## **Testing and Repairing LAB Facility**

We have complete repairing workshop facility with Advanced Tools & Equipment including Skilled Engineers for Repairing, Fault Finding & Rectifications. Our workshop is equipped with high end tools like Oscilloscope, Digital Meters, and LCD Lens Adjuster, Splicing Machine, LCD Focus Adjuster, Variable Power Supplies, Test Meter & many others as per repairing requirement.

## **Warranty Policy**

All equipment supplied and installed by AHC automatically carries a twelvemonth manufacturer's warranty. Maintenance contracts are available and can be tailored to the individual requirements of each client.

## **Spare Parts Availability**

AHC on behalf of LG assures the parts availability of five(5) years even after the deletion of the product, so while working with AHC our clients feel very comfortable in this regard as well. AHC maintain the stock of major spare parts of all the products in its Lab to ensure repairing process remain quick and efficient.

## **In-House Design Facilities**

AHC provide the following In-house facilities in each of its office;

- ✓ Equipment Layouts
- ✓ Block Diagrams
- ✓ Conduit and Wire way Layouts
- ✓ Piping Isometrics
- ✓ System Diagrams
- ✓ Wiring Schematics



Afghan Hossa

# شرکت تجارتي افغان هوسا Afghan Hossa Company

جمهوری اسلامی افغانستان  
وزارت تجارت و صنایع  
ریاست عمومی ثبت مرکزی و مالکیت فکری



د افغانستان اسلامي جمهوریت  
د سوداګرۍ او صنایعو وزارت  
د مرکزي ثبت او فکري مالکیت لوی ریاست

## Islamic Republic of Afghanistan Ministry of Commerce and Industries

Directorate General of Central Business Registry & Intellectual Property

Reg #: 86639  
License #: 30548

د ثبت نمبر: ۸۶۶۳۹  
د جواز نمبر: ۳۰۵۴۸

### جواز ثبت

### Business License

متشیت انفرادی: محمداسحق نجات ولد محمدیوسف  
عنوان تجارتي: افغان هوسا  
Afghan Hossa



رئیس/President  
محمداسحق نجات  
Mohammad Esaq Nejat

نمبر تشخیصیه مالیه / TIN  
9007048664



تصدیق کیری دا جواز چی نوم بی پورته یاد شوی دی د محدودالمسؤولیت شرکتونو د قانون او د افغانستان د نورو نافذه قوانینو پر بنسټ ثبت او صادر شو.  
تصدیق میگردد این جواز که نام آن در فوق ذکر میباشد، در مطابقت با قانون شرکتهای محدودالمسؤولیت و سایر قوانین نافذه افغانستان ثبت و صادر گردیده است.

It is certified that this license with mentioned name, is registered and issued in accordance with and subject to the LLC and other effective laws of Afghanistan.

د صدور نیټه: ۰۴/مې/۲۰۱۹ ۱۳۹۸/۰۲/۱۴  
د پای نیټه: ۰۳/مې/۲۰۲۱ ۱۴۰۰/۰۲/۱۳  
د تاسیس کال: ۱۳۹۵  
سکتور فعالیت: تجارتي

ادرس نهاد: حصه سوم خیرخانه، مرکز کابل، کابل

امضاء صلاحیت دار

Authorized Signature

53748

نمبر مسلسل:

قیمت حق الطبع (۵۰۰) افغانی